

BG4D Series

Directional Control Valves

The BG4D is a heavy duty, low leakage directional control valve with many customer configurable elements, including selection mechanism, porting, spool type and control plus additional options such as built in relief valves. The valve is highly customisable so if there is something you need and it is not shown below then please contact our sales office to discuss your unique requirements.



Manufacturers of hydraulic components and test equipment
for the Mobile, Industrial and Agricultural industries



1290 E. Waterford Ave.

Milwaukee, WI 53235

Tel: (414) 769-6400

Fax: (414) 769-6591

www.webster-inst.com

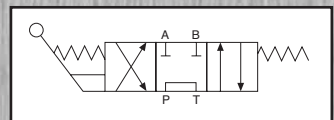
E-mail: sales@webster-inst.com

Features

- Maximum operating pressure: 250 bar, 3625 psi - including 'Tank' port
- Maximum flow: up to 100 lpm, 25 US gpm
- Choice of BSPP and SAE ports
- Nitrile rubber seals: alternatives are available - contact sales office
- Simple four bolt mounting: M8 x 12 (BSPP porting) or 5/16" UNF x 1/2" (SAE porting)
- Ambient temperature range: -30 to 50 °C
- Fluid temperature range: -30 to 80 °C

Hydraulic Symbol

BG4D-H-G-4-E



BG4D-BU-USA-2854.pdf
(Issue 2)

04/12

Specification

Maximum operating pressure: 250 bar, 3625 psi - including 'Tank' port

Maximum flow: up to 100 lpm, 25 US gpm

Choice of BSPP and SAE ports

Nitrile rubber seals: alternatives are available - contact sales office

Simple four bolt mounting: M8 x 12 (BSPP porting) or 5/16" x 1/2" (SAE porting)

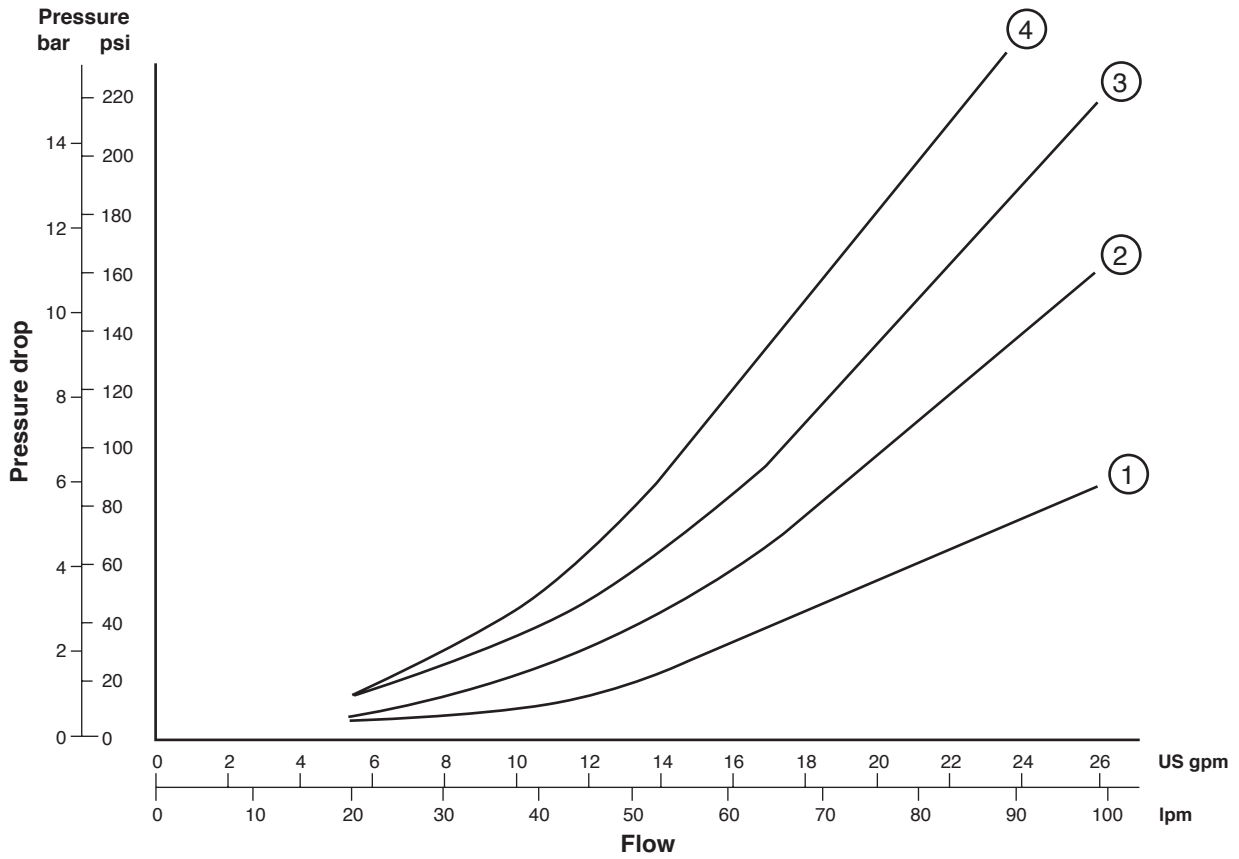
Ambient temperature range: -30 to 50 °C

Fluid temperature range: -30 to 80 °C

Recommended filtration: 25 microns or better

Viscosity range: 13 to 400 Cst

Pressure Drop Curve



Spool type	A					C			
Flow selected	B-T	P-B	P-T	P-A	A-T	B-T	P-A	A-T	P-B
Curve number	2	1	1	1	2	3	2	3	2

Spool type	G					H			
Flow selected	B-T	P-B	P-T	P-A	A-T	B-T	P-A	A-T	P-B
Curve number	4	4	2	4	4	3	2	3	2

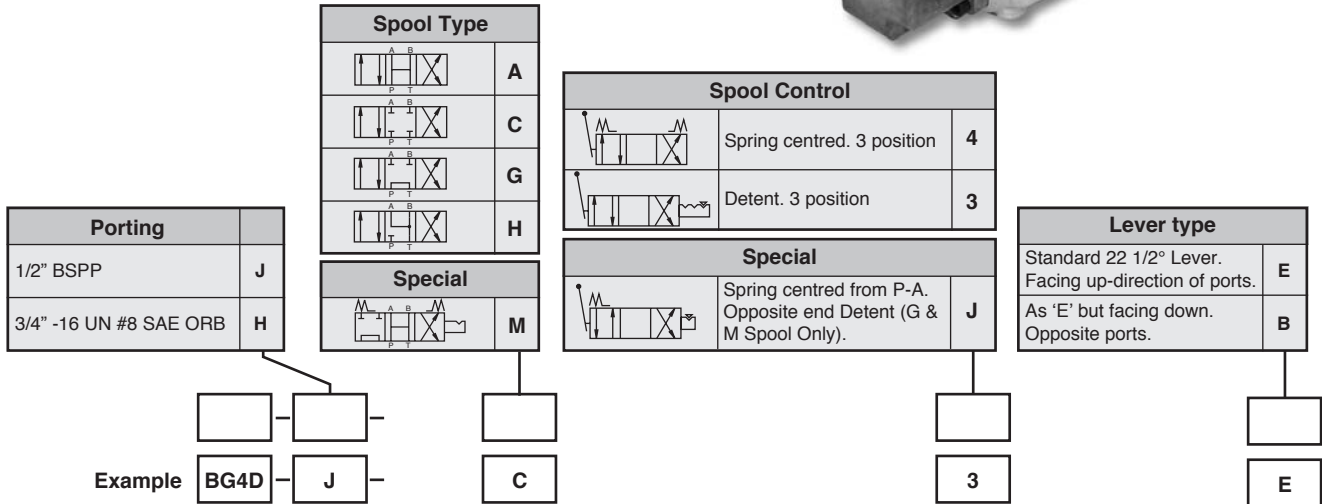
BG4D Lever Operated

Additional Specification

- Weight: 4.5 kg

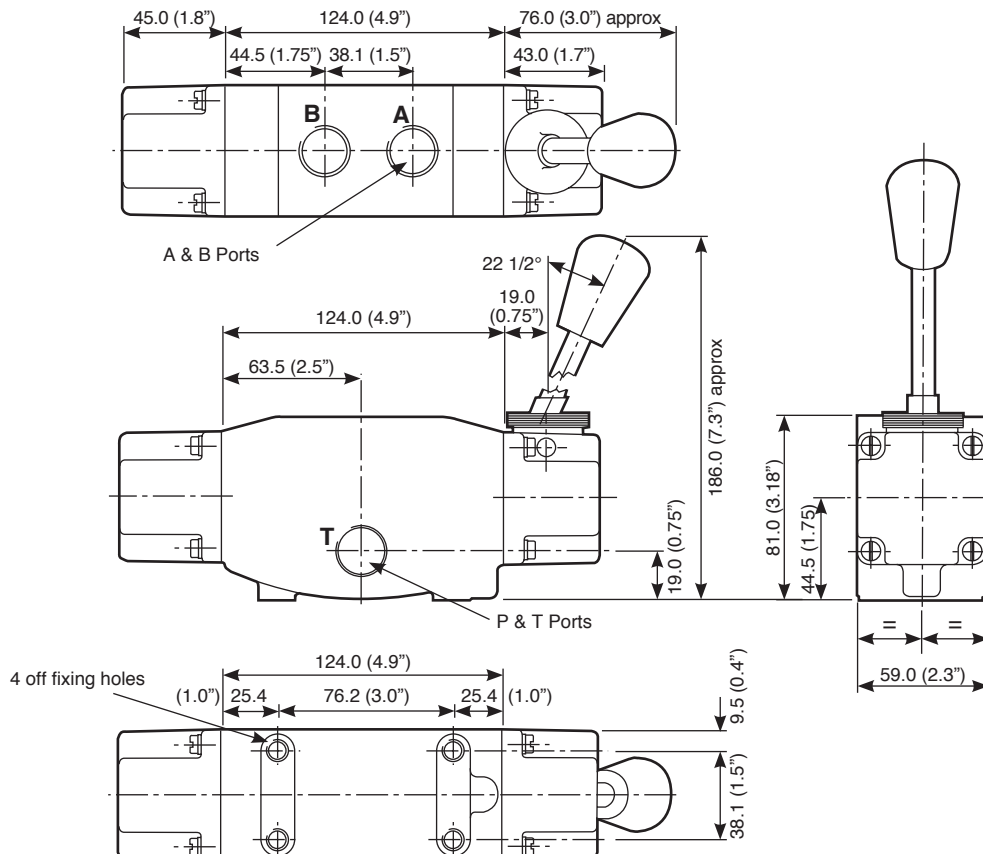


Ordering Code



Please contact our technical sales team to discuss any special order requirements.

Dimensions: mm (Inches)



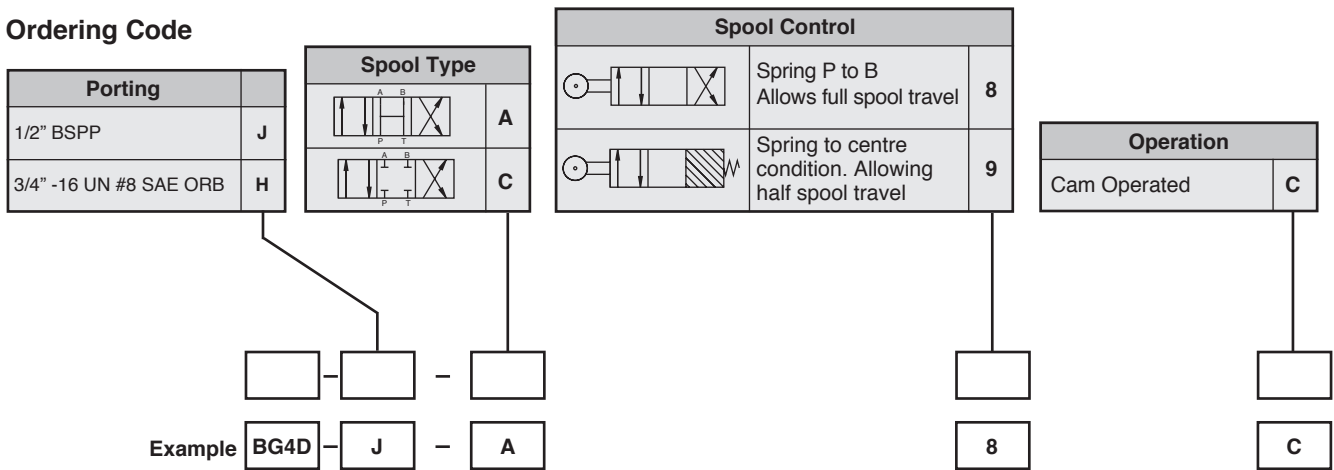
BG4D Cam Operated

Additional Specification

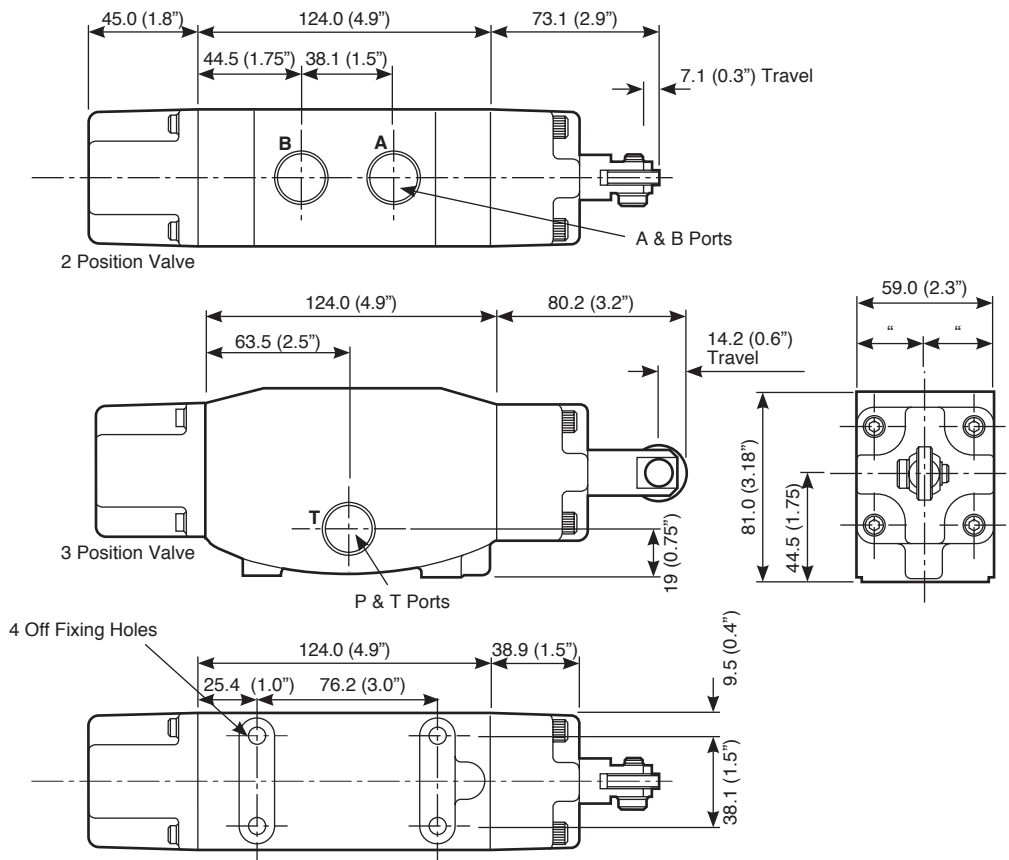
- Cam actuator fitted on A port end
- Cam depressed P to A
- Weight 4.7kg



Ordering Code



Dimensions: mm (Inches)



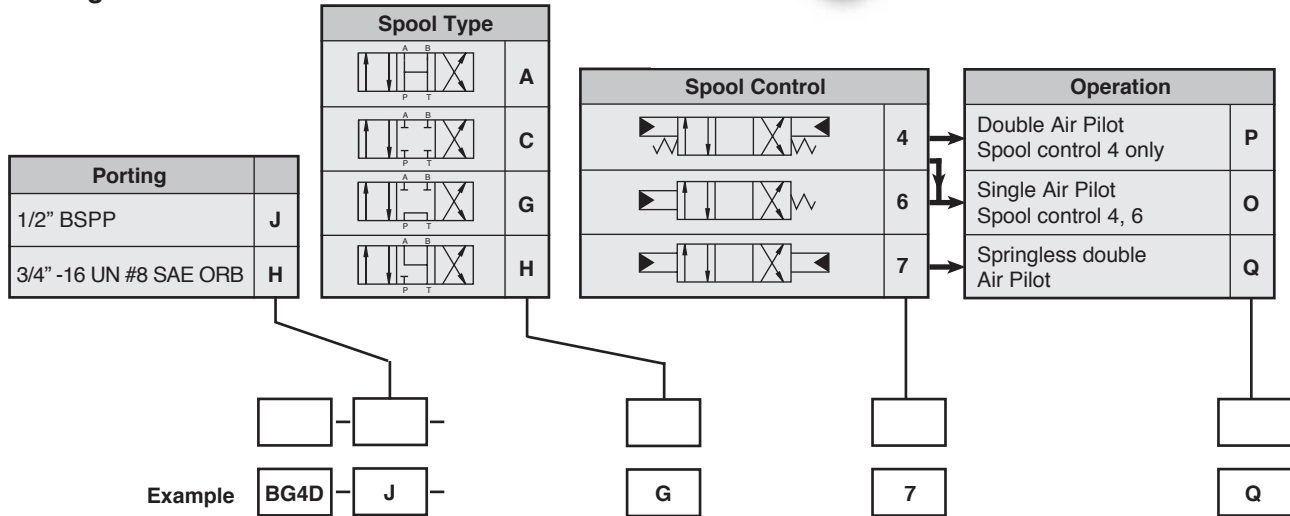
BG4D Air Operated

Additional Specification

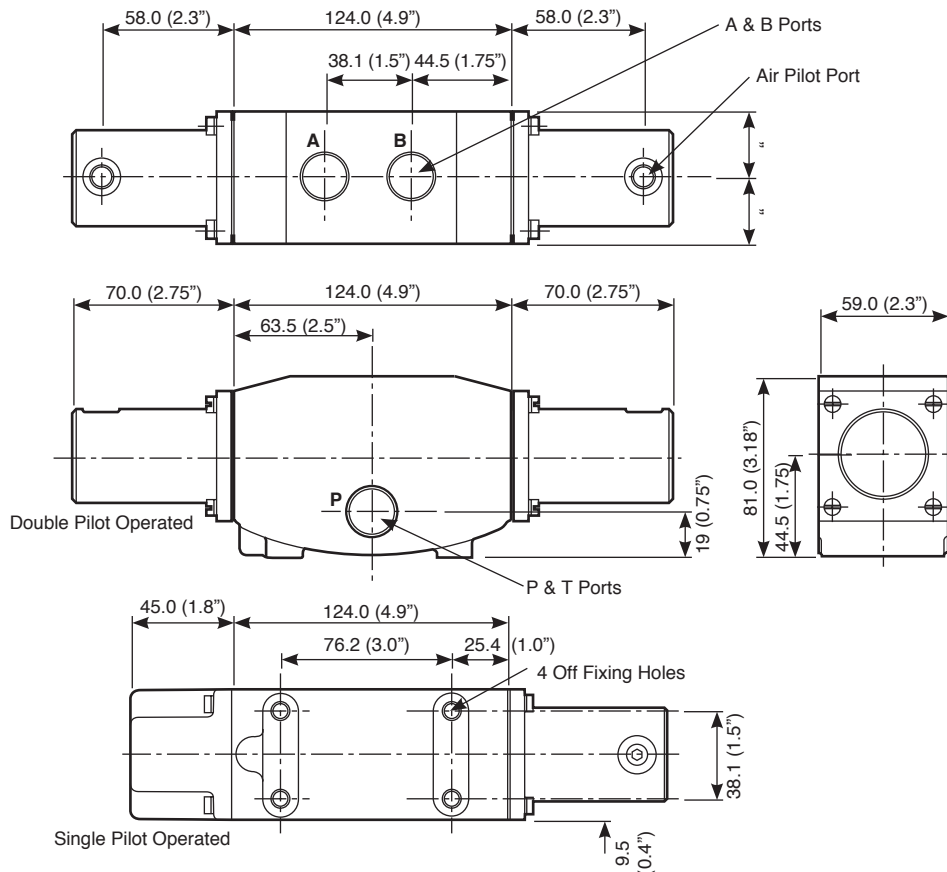
- Pilot porting 1/8" BSPP
- Pilot operating pressure (min to max),
5 - 10 bar, 70 - 145 psi
- Pilot volume 15cc
- Weight 4.1 kg



Ordering Code



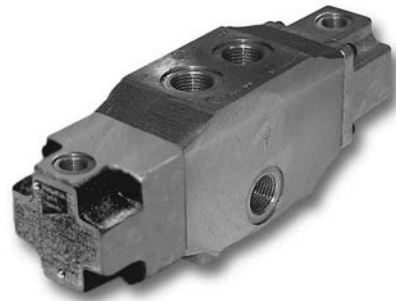
Dimensions: mm (Inches)



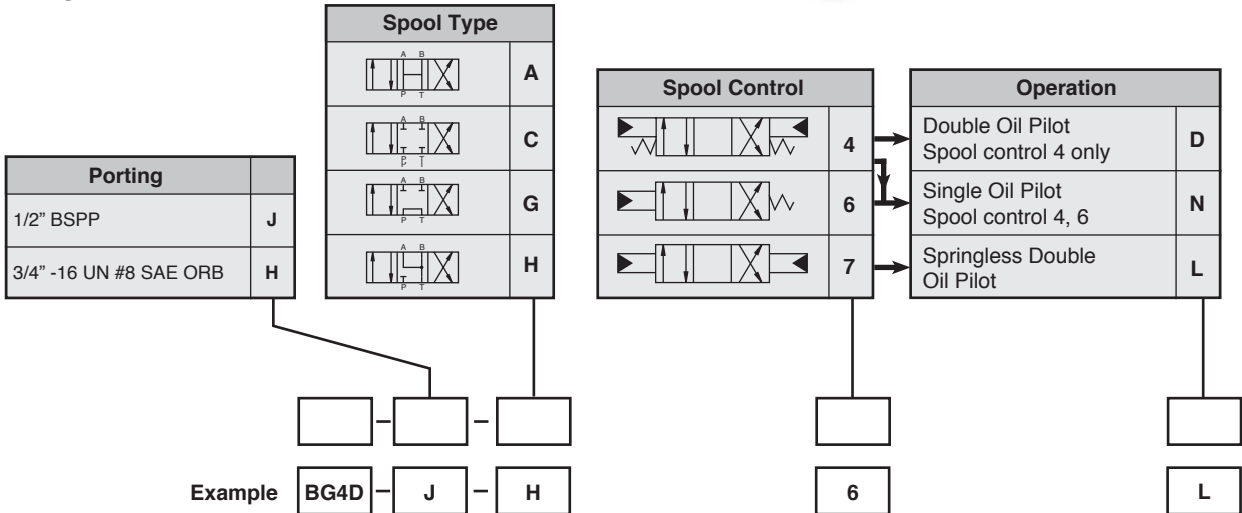
BG4D Oil Operated

Additional Specification

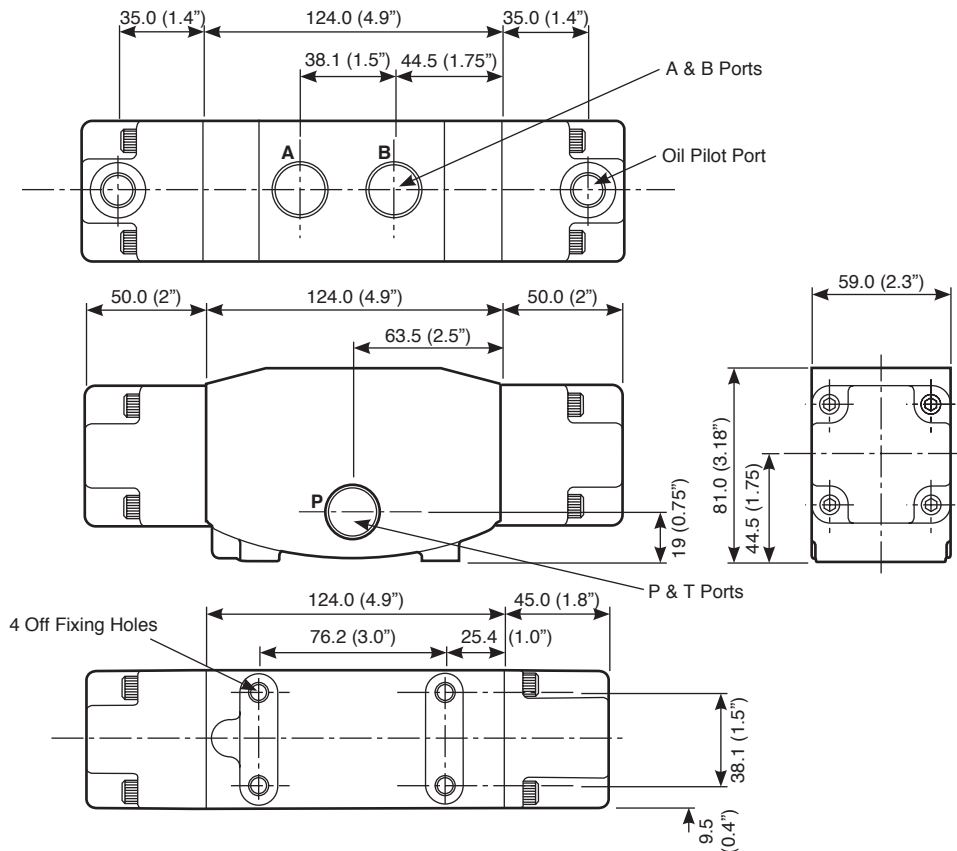
- Pilot porting 1/4" BSPP
- Pilot operating pressure (min to max),
10 - 135 bar, 145 - 2000 psi
- Pilot volume 7.5cc
- Weight 4.1 kg



Ordering Code



Dimensions: mm (Inches)



BG4D - Lever operated with relief valve

Additional Specification

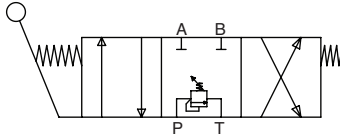
- Maximum flow rate - 50 lpm, 13 US gpm
- Adjustable relief valve 14 - 210 bar, 200 - 3000 psi



Ordering Code

To order the relief valve option add RV to the start of the code - in this example the code would be -

RVBG4D-H-G-4-E



Not every configuration is possible - please consult sales office for guidance.

Dimensions: mm (Inches)

