

ILFC Series

Fixed Flow Pressure Compensated Control Valve



1290 E. Waterford Ave.

Milwaukee, WI 53235

Tel: (414) 769-6400

Fax: (414) 769-6591

www.webster-inst.com

E-mail: sales@webster-inst.com

Flow Control Valves maintain the flow rate of hydraulic fluid to a specified value.

Applications include hydraulic cylinders required to extend or retract at constant speeds and hydraulic motors required to rotate at constant speeds. When used with a fixed delivery pump the excess flow is By-Passed across a relief valve.

Specifications

Maximum Pressure:

210 bar (working)

Maximum Flow:

16 lpm

Porting:

BSPP, NPTF, & UNF - see Table 1

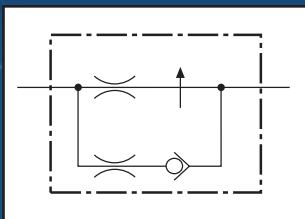
Material:

Exterior parts; Zinc plated clear passivate steel.
Interior parts; Steel spool in aluminium sleeve.

Weight:

See Table 1

Symbol



Features

- Pressure compensated to ensure a constant flow rate under varying pressures.
- Pre-set in factory to customer requirements at any flow rate between 1.5 lpm - 16 lpm.
- Uncontrolled flow is permitted in reverse direction.
- Zinc plated clear passivate.
- Cartridge version available, without steel body.

Manufacturers of hydraulic components and test equipment
for the Mobile, Industrial and Agricultural industries



ILFC-BU-USA-2590.pdf 08/10
(Issue 2)

Ordering Codes

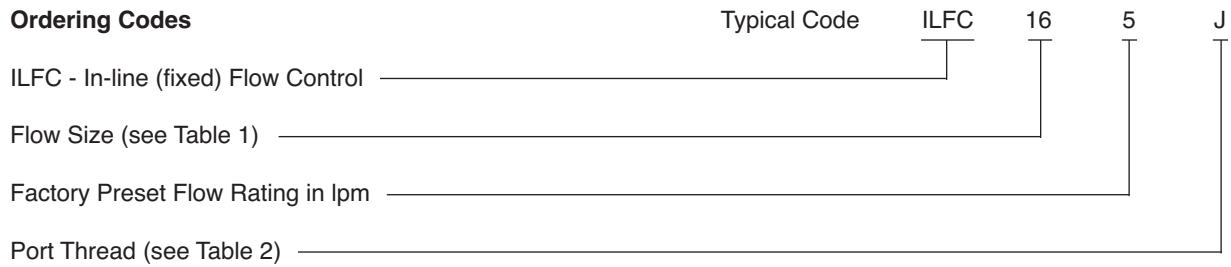


Table 1: Dimensions

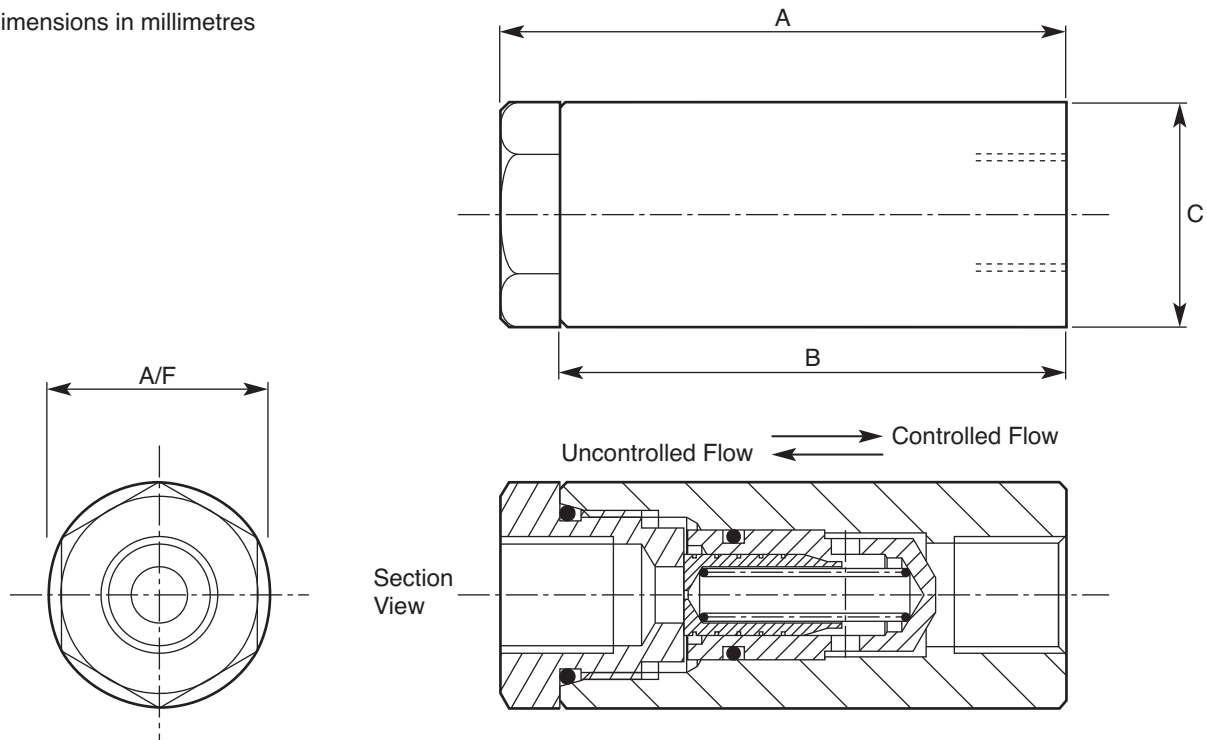
Code	Flow Range	Port		A	B	C	A/F	Weight (kg)
		Size	Thread					
14	1.5 - 14 lpm	1/4"	BSPP	64	57	25	22	0.20
14	1.5 - 14 lpm	1/4"	NPTF	87	62	25	22	0.25
16	1.5 - 16 lpm	3/8"	BSPP	77	57	25	22	0.20
16	1.5 - 16 lpm	3/8"	NPTF	87	62	25	22	0.25
16	1.5 - 16 lpm	9/16"	UNF	87	62	25	22	0.25

Table 2: Porting*

Code	Thread
J	BSPP
A	NPTF
G	UNF

Installation Details

Dimensions in millimetres



* Other threads available to special order.



APPROVED